

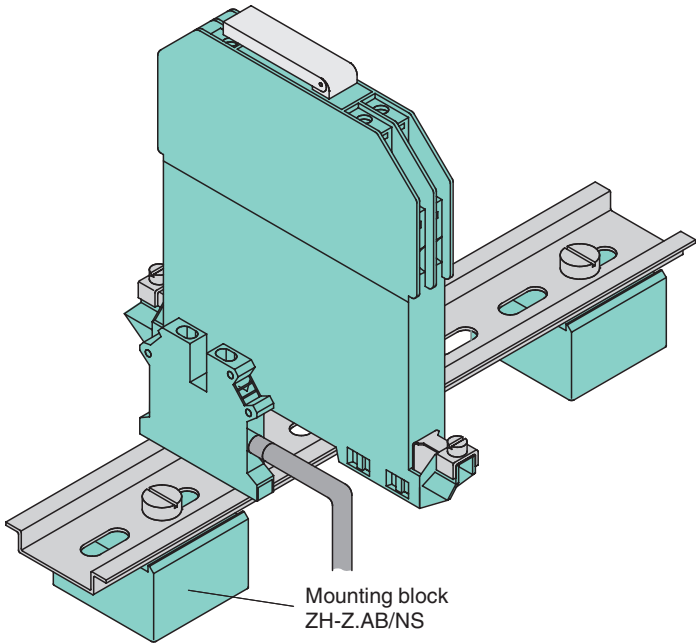
# Mounting Block

## ZH-Z.AB/NS

- Accessory Zener Barriers
- For group grounding through insulated mounting

Mounting block for DIN mounting rail

### Assembly



Release date: 2020-05-01 Date of issue: 2020-09-23 Filename: 034391\_eng.pdf

Refer to "General Notes Relating to Pepperl+Fuchs Product Information".

Pepperl+Fuchs Group  
www.pepperl-fuchs.com

USA: +1 330 486 0002  
pa-info@us.pepperl-fuchs.com

Germany: +49 621 776 2222  
pa-info@de.pepperl-fuchs.com

Singapore: +65 6779 9091  
pa-info@sg.pepperl-fuchs.com

 **PEPPERL+FUCHS**